

HB 62



- 55 ft 9 in outreach
- 507 lb platform capacity
- 4 wheel drive
- 4 in ground clearance



The Haulotte® advantages

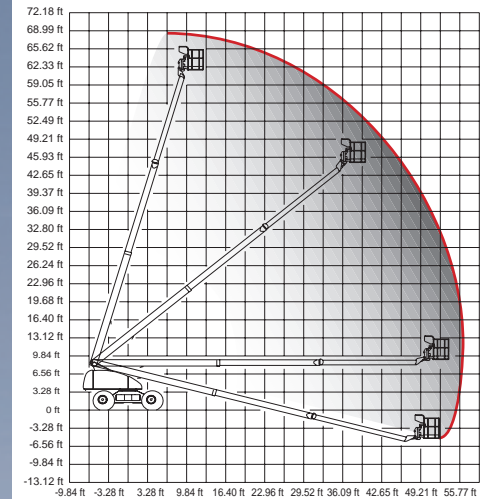
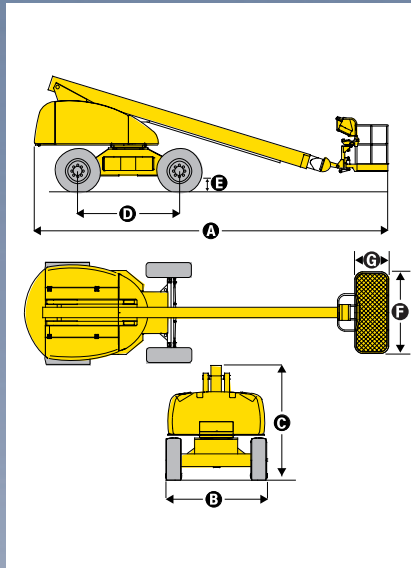
- Hydraulic differential lock for demanding rough terrain conditions
- 29 ft 10 in length for improved manoeuvrability.
- Large & robust slewing ring
- Simultaneous proportional controls for all movements.
- Side mounted engine for easy access & maintenance.
- Improved productivity through fast boom movement speeds.
- Robust, reliable, easy to maintain.

STANDARD FEATURES

- 4 wheel drive
- Tilt alarm
- 180° hydraulic platform basket rotation
- Silent pack Hatz diesel engine
- Free wheeling device
- Safe use in winds up to 28 mph
- Simple operational controls
- Battery emergency lowering system.
- Slewing block pin
- Hourmeter
- Towing hooks / lifting brackets
- 110 V outlet

OPTIONS & ACCESSORIES

- 91 in x 32 in platform
- Rotating beacon
- Catalytic exhaust
- Work light
- Travel alarm
- Overload device
- Generator 3 kW
- 794 lb Platform Capacity with 37 mph wind. (Machine weight: 27,871 lb)



SPECIFICATIONS

| | |
|-----------------------------------|--------------------------|
| Working Height | 67 ft 8 in |
| Platform Height | 61 ft 8 in |
| Horizontal Reach | 56 ft 3 in |
| Platform Capacity | 507 lb |
| A Length | 29 ft 10 in |
| B Width | 8 ft 2 in |
| C Stowed Height | 9 ft 5 in |
| D Wheelbase | 8 ft 2 in |
| E Ground clearance | 14 in |
| F x G Platform size | 71 in x 32 in |
| Tailswing | 42 in |
| Drive speed | 0.9 - 3.1 mph |
| Outside turning radius | 20 ft 2 in |
| Turntable Rotation - Continuous | 360° |
| Platform Rotation | 180° |
| Power source | Diesel 43.6 hp / 32.1 kW |
| Controls | Proportional |
| Gradeability | 40% |
| Tires (Foam Filled) | 15 R 22 |
| Hydraulic tank | 40 gal |
| Fuel tank | 40 gal |
| Weight | 25,909 lb |

ANSI/SIA A92.5 and CSA/B354.4 Standards Compliance

Distributed By:

One Source
RENTALS • SALES • SERVICE

www.onesourcerental.com



HAULOTTE US Inc - 7135 STANDARD DRIVE - HANOVER MD 21076 - USA
PHONE : +1 410 712 4403 - FAX : +1 410 712 4419
Main Toll Free : +1 877-HAULOTTE - e-mail : sales@us.haulotte.com

Haulotte Group - La Péronnière - BP 9 -42152 l'Horme - France

Tél : +33 (0)4 77 29 24 24 - Fax : +33 (0)4 77 29 43 95 - e-mail : haulotte@haulotte.com - web : <http://www.haulotte.com>

Haulotte
GROUP